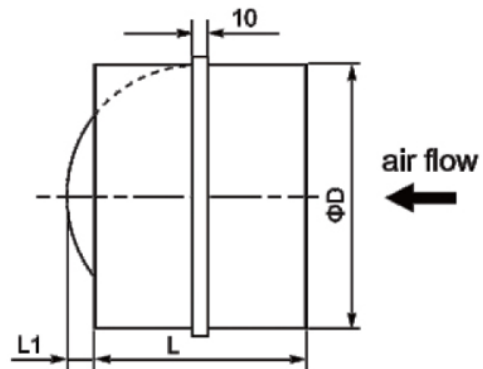


Back draught damper RSKT



Description

The butterfly shutter type RSKT is used to preventing the reverse of air-flow in circular duct systems.

Technical data

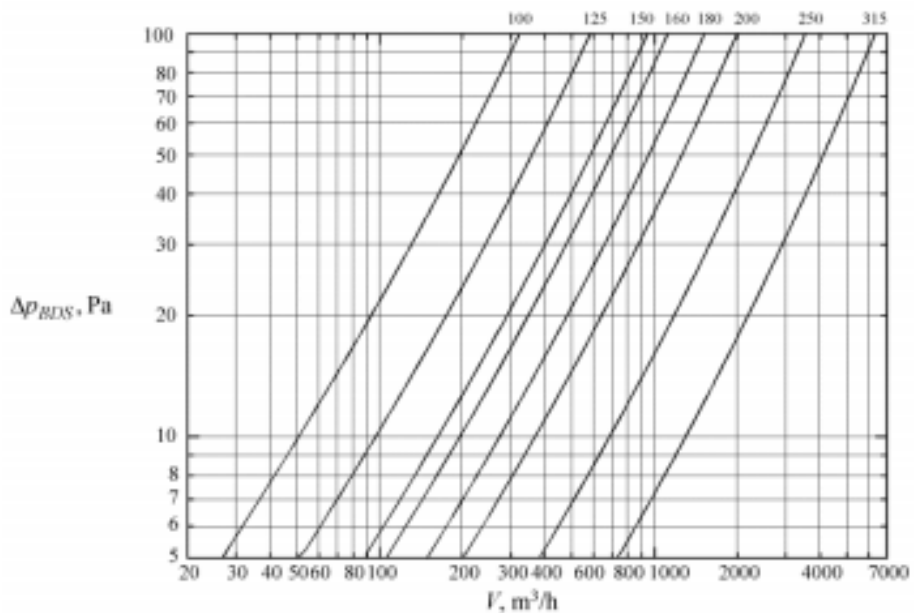
- Construction** The casing is made of galvanized steel, the blades are made of aluminium.
With inner foam seal for better tightness and noise reduction.
The value opens when overpressure occurs and closes by means of spring when the pressure drops.
The maximum operating temperature 100 °C.
- Installation** Mounting with all type round ducts: sheet metal, flexible aluminum, plastic or fabric.
Mounting positions: horizontal

Dimensions

Type	ϕD [mm]	L [mm]	L1 [mm]	m [kg]
RSKT100	99	88	6	0,15
RSKT125	124	88	19	0,19
RSKT150	149	88	31	0,23
RSKT160	159	88	36	0,25
RSKT200	199	88	56	0,31
RSKT250	249	128	61	0,53
RSKT315	314	128	94	0,69

Back draught damper RSKT

Technical data



Opening of the blades as the function of air flow rate

